



17 Laurita Gate – Port Jefferson, NY 11777

(800) 405-3562

pandtservices@gmail.com

Dear Prospective Client,

Thank you for taking an interest in our company. The examples that follow are a very limited sampling of work done over the years. Much of our work remains confidential. All of these figures are taken directly from publicly available patents and applications.

Every patent professional has their own unique style and requirements. We specialize in adapting to the needs of our customers, promoting efficient communication, and the creation of concise illustrations.

We hope to speak to you soon,

- Max Santoro
Head of Illustration
Patent & Trademark svc.

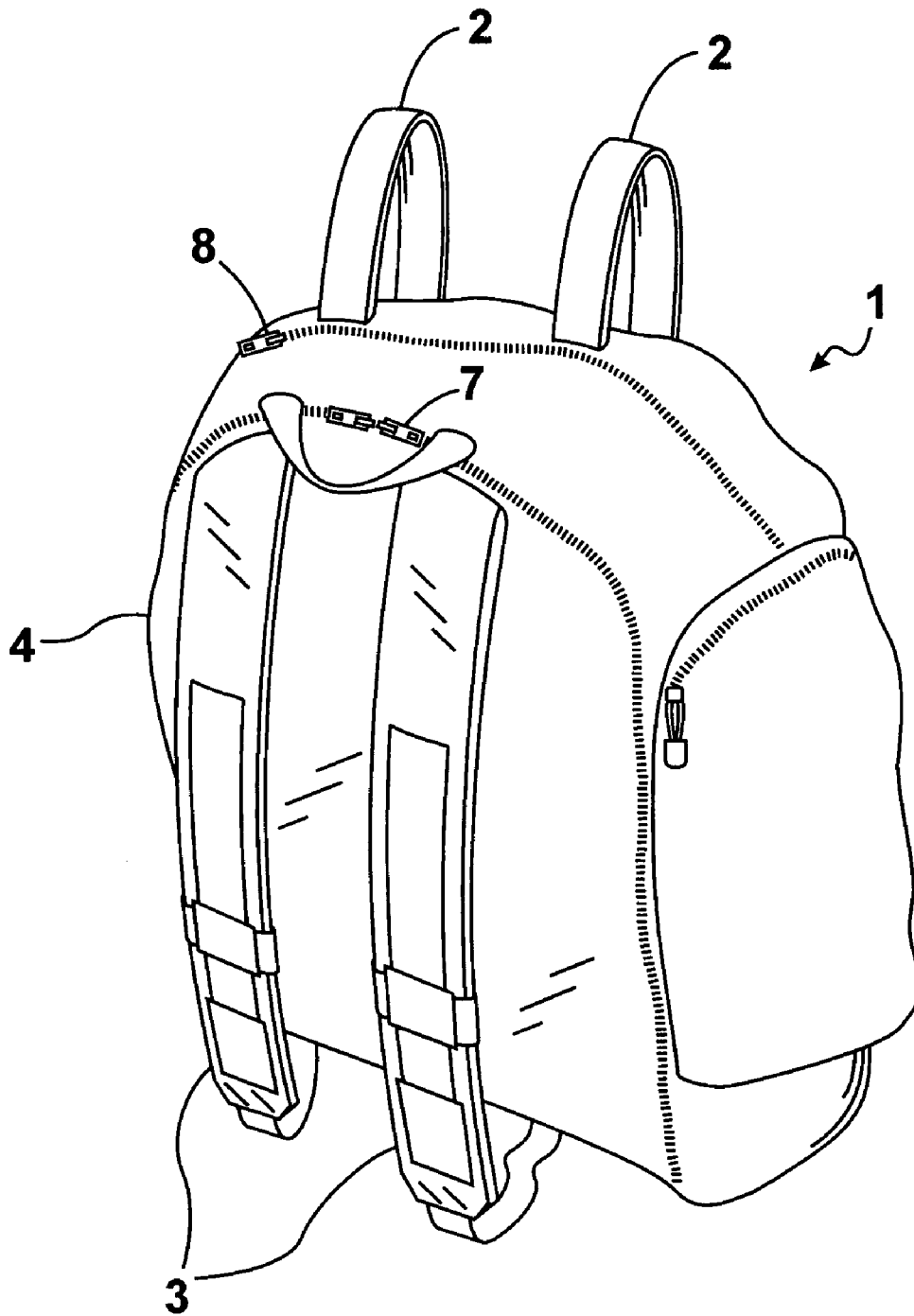


FIG. 1

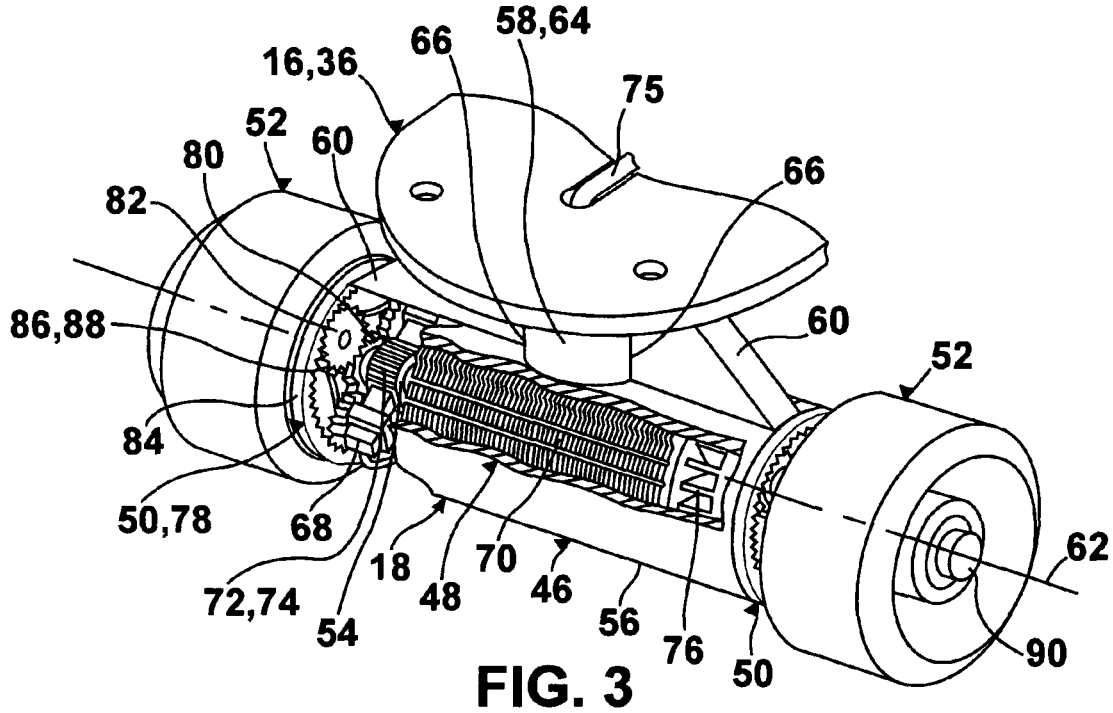


FIG. 3

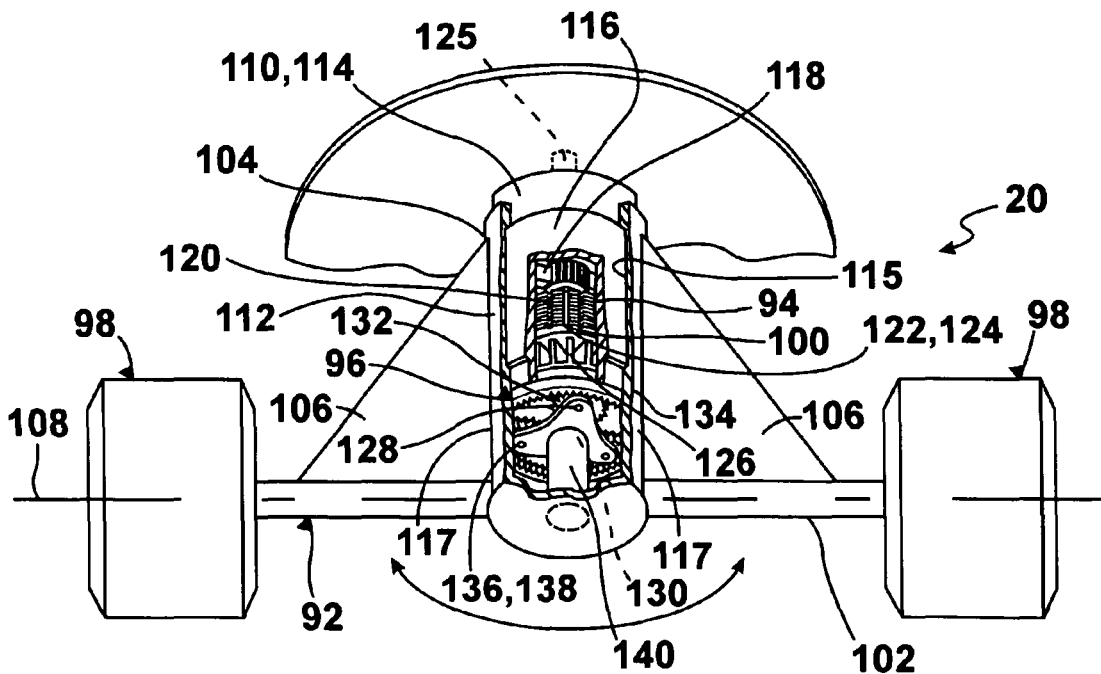


FIG. 4

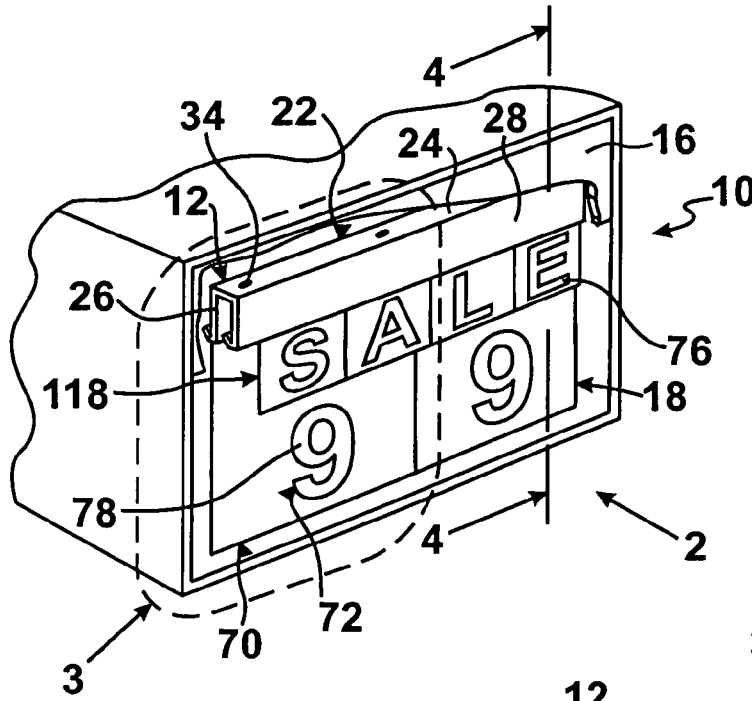


FIG. 1

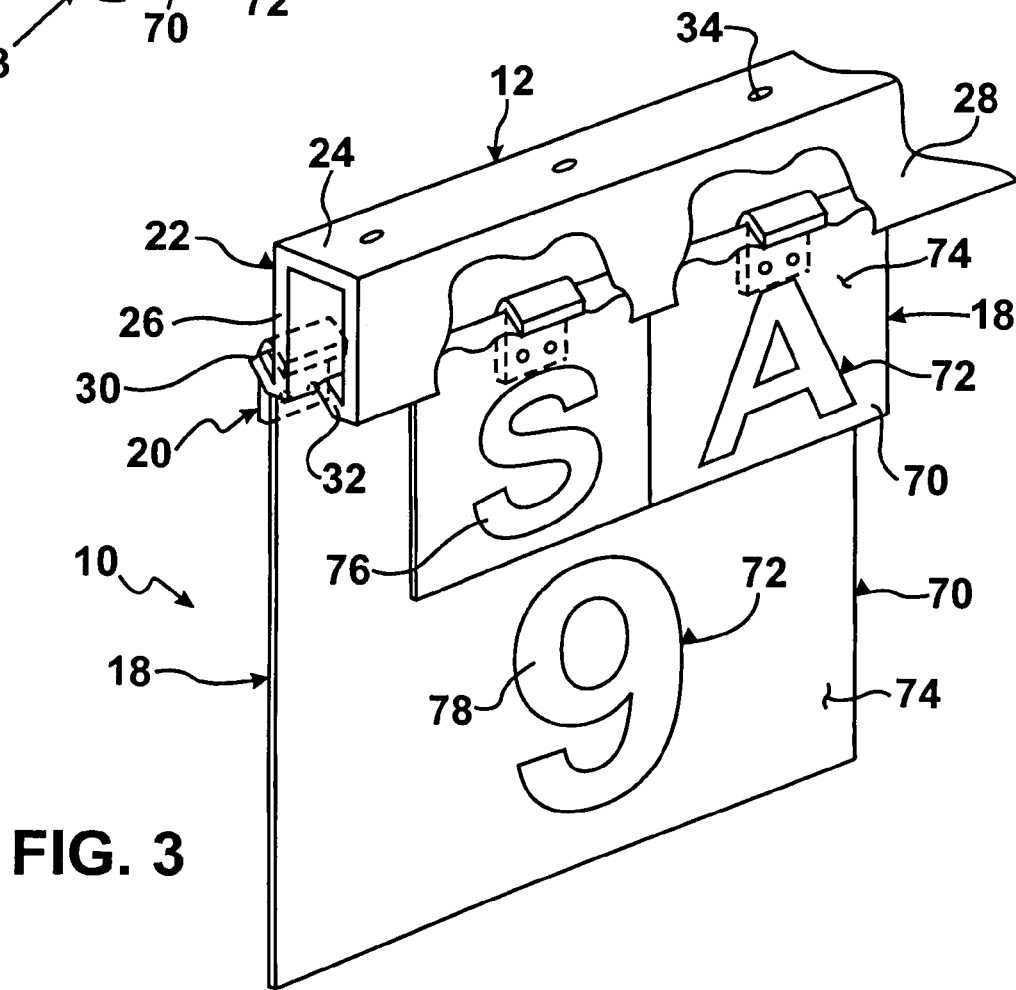
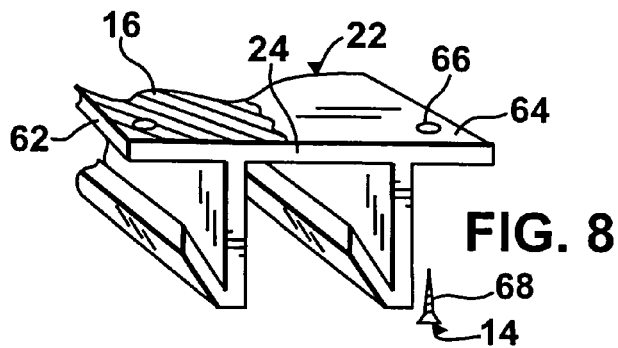
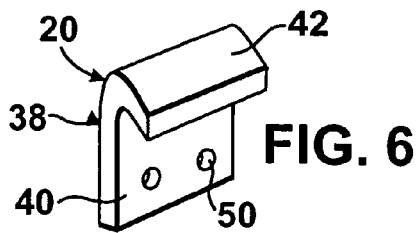
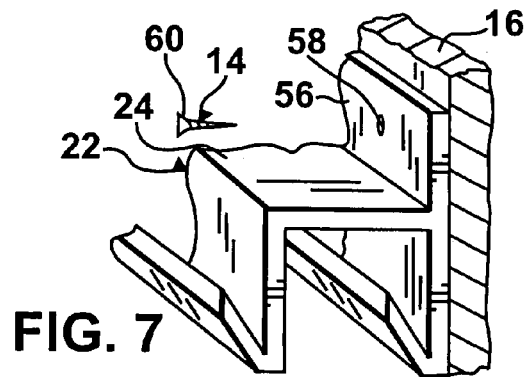
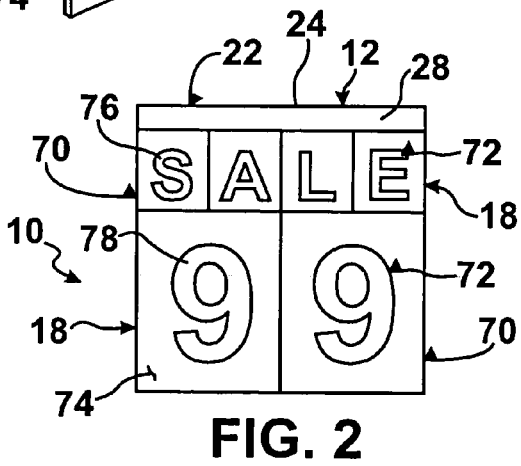
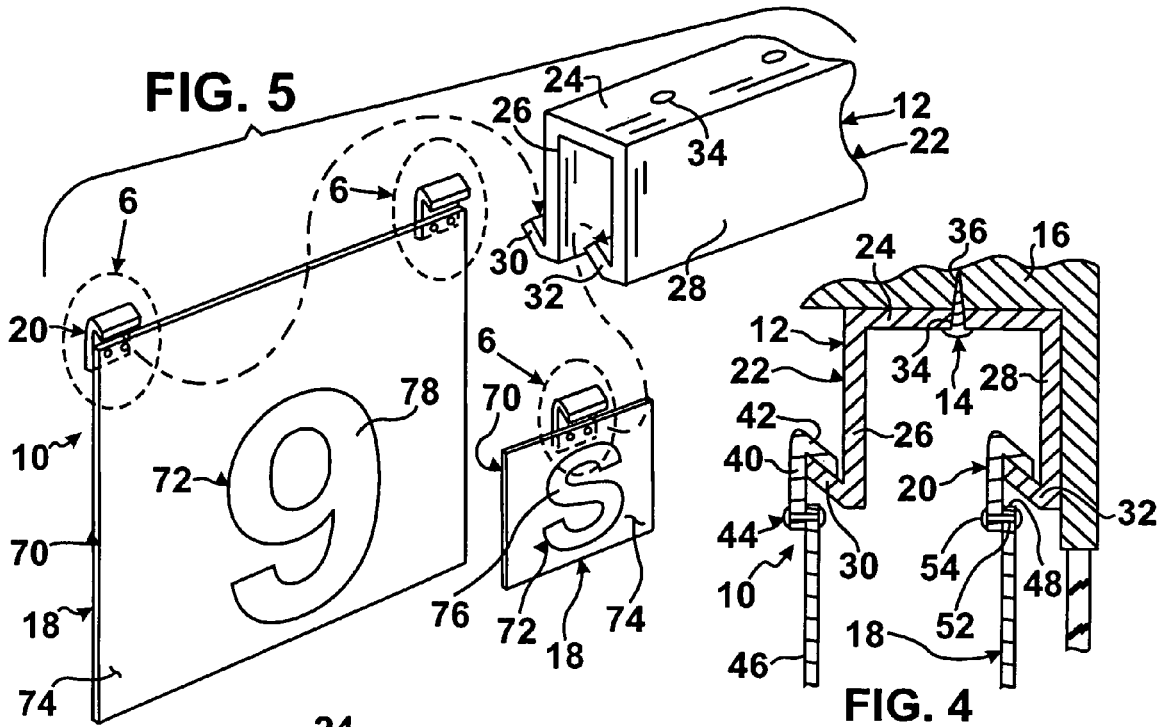


FIG. 3



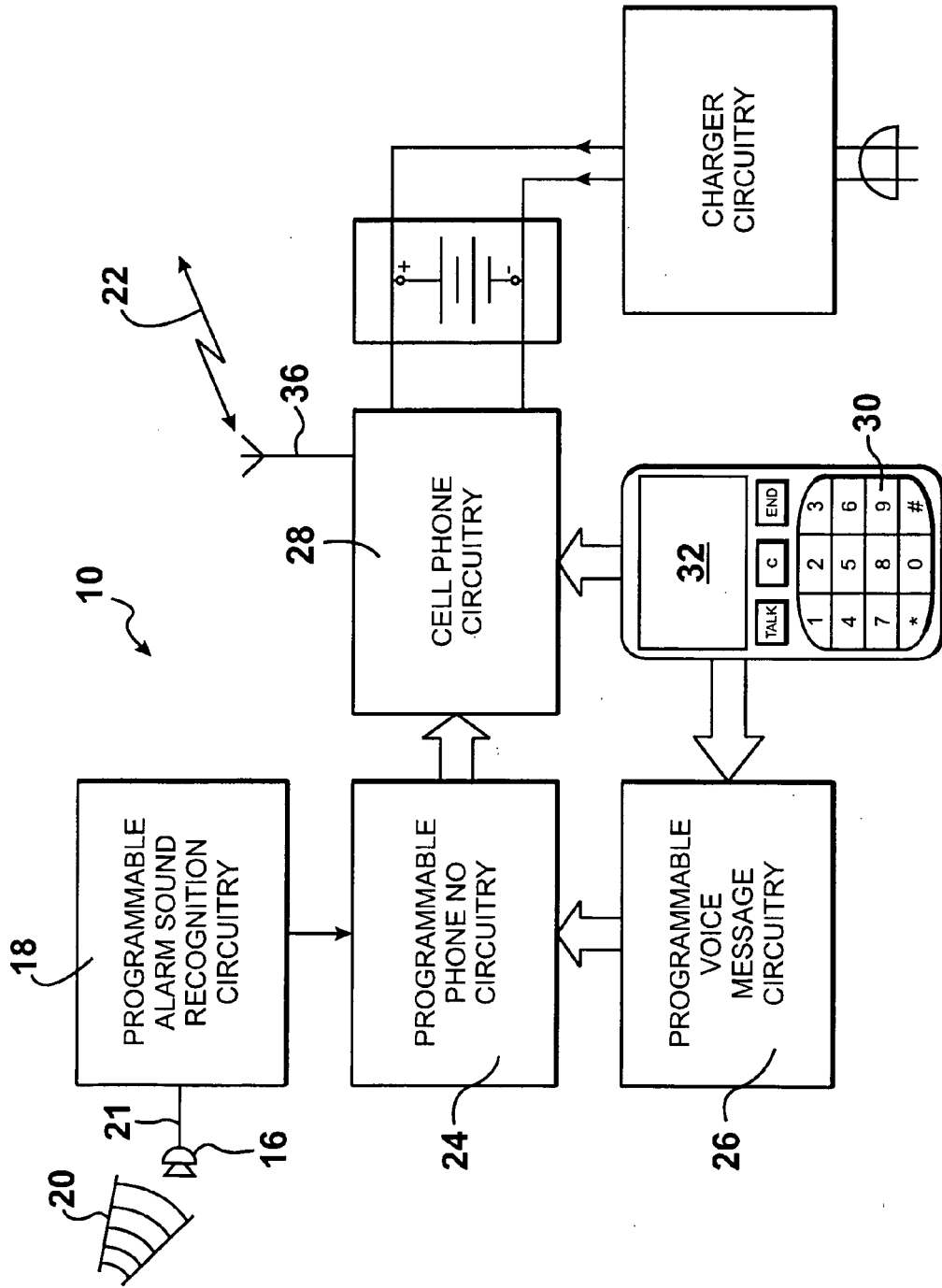


FIG. 2



US007360317B1

(12) **United States Patent**
Lavalle

(10) **Patent No.:** **US 7,360,317 B1**
(45) **Date of Patent:** **Apr. 22, 2008**

(54) **LEVEL HAVING AN ADJUSTABLE MECHANISM FOR TRUING TO ACQUIRE AN EXACT READING**

4,999,921 A *	3/1991	Bird et al.	33/388
5,001,838 A *	3/1991	Huxley et al.	33/388
5,111,589 A *	5/1992	Tate	33/385
6,176,020 B1 *	1/2001	Scarborough	33/379
6,550,152 B2	4/2003	Myrick	

(76) Inventor: **Stephen T. Lavalle**, P.O. Box 114,
Bellport, NY (US) 11713

FOREIGN PATENT DOCUMENTS

(*) Notice: Subject to any disclaimer, the term of this patent is extended or adjusted under 35 U.S.C. 154(b) by 0 days.

GB 2252164 A * 7/1992

* cited by examiner

(21) Appl. No.: **11/508,501**

Primary Examiner—R. Alexander Smith
(74) *Attorney, Agent, or Firm*—Richard L. Miller

(22) Filed: **Aug. 23, 2006**

(57) **ABSTRACT**

(51) **Int. Cl.**
G01C 9/24 (2006.01)

A level having an adjustable mechanism for truing to acquire an exact reading which comprises an elongated rigid body being an I-shaped frame having a web with a first flange transversely extending across a first long end of the web and a second flange transversely extending across a second long end of the web. A first bubble vial is mounted in a parallel relationship within the center of a first elongated rectangular plate for taking horizontal measurements. A second bubble vial is mounted in a transverse relationship within the center of a second elongated rectangular plate for taking vertical measurements. A mechanism is for securing the first elongated rectangular plate in an adjustable manner to one face of the web and the second elongated rectangular plate in an adjustable manner to an opposite face of the web. The first bubble vial in the first elongated rectangular plate and the second bubble vial in the second elongated rectangular plate can be adjusted true with respect to the web to acquire an exact reading when being used for the horizontal and vertical measurements.

(52) **U.S. Cl.** **33/384**

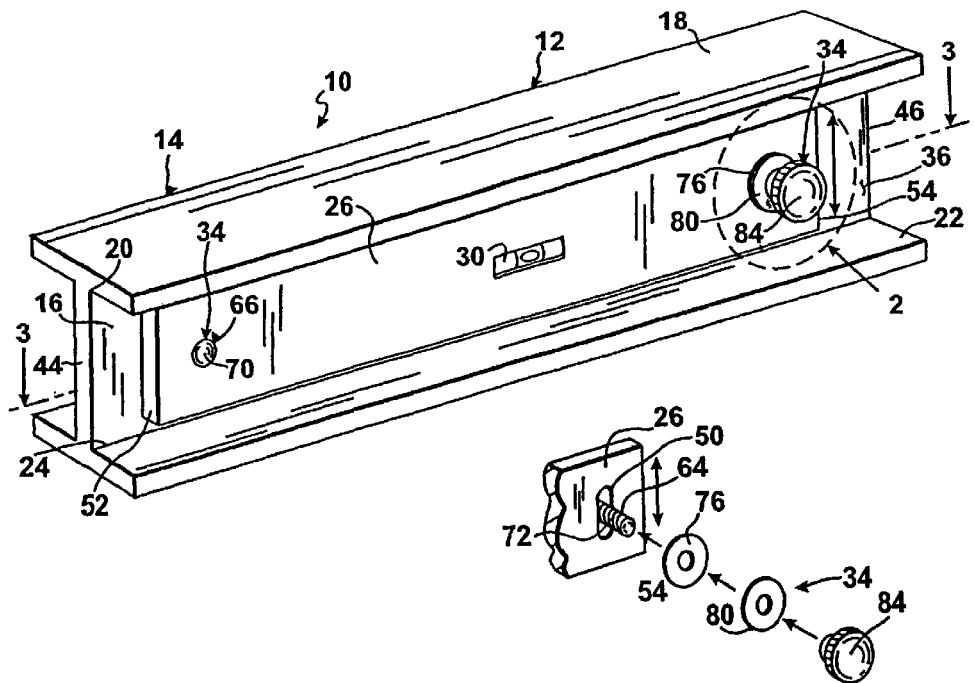
(58) **Field of Classification Search** 33/374,
33/375, 384, 385, 386, 387, 388; D10/69
See application file for complete search history.

(56) **References Cited**

U.S. PATENT DOCUMENTS

565,096 A *	8/1896	Traut	33/385
1,052,447 A *	2/1913	Armstrong	33/350
1,362,813 A *	12/1920	Neidl	33/350
1,393,328 A *	10/1921	Thullen	33/381
1,498,158 A *	6/1924	Eden	33/388
1,630,122 A *	5/1927	Ivarson	33/385
2,304,313 A *	12/1942	Misz	33/386
2,594,543 A	4/1952	Douglas	
4,150,492 A	4/1979	Tracy	
4,635,414 A	1/1987	Allen	
4,843,724 A *	7/1989	Greenland	33/386
4,928,395 A *	5/1990	Good	33/374

1 Claim, 2 Drawing Sheets





US007645159B1

(12) **United States Patent**
Tuniewicz et al.

(10) **Patent No.:** **US 7,645,159 B1**
(45) **Date of Patent:** **Jan. 12, 2010**

(54) **MECHANISM FOR INSTALLING AND REMOVING A COMPONENT FROM A PANEL**

(76) Inventors: **Robert M. Tuniewicz**, 14 Remsen Ct., Mt. Sinai, NY (US) 11766; **Gilbert D. Talamo**, P.O. Box 434, Great River, NY (US) 11739

(*) Notice: Subject to any disclaimer, the term of this patent is extended or adjusted under 35 U.S.C. 154(b) by 0 days.

(21) Appl. No.: **12/156,204**

(22) Filed: **May 30, 2008**

(51) **Int. Cl.**
H01R 13/66 (2006.01)

(52) **U.S. Cl.** **439/535**

(58) **Field of Classification Search** 439/534, 439/131, 373, 467, 535; 174/48, 50
See application file for complete search history.

(56) **References Cited**

U.S. PATENT DOCUMENTS

5,008,491 A *	4/1991	Bowman	174/489
5,575,668 A *	11/1996	Timmerman	439/131
7,364,443 B1 *	4/2008	McGinnis et al.	439/131
7,459,631 B2 *	12/2008	Nakayama et al.	174/50

* cited by examiner

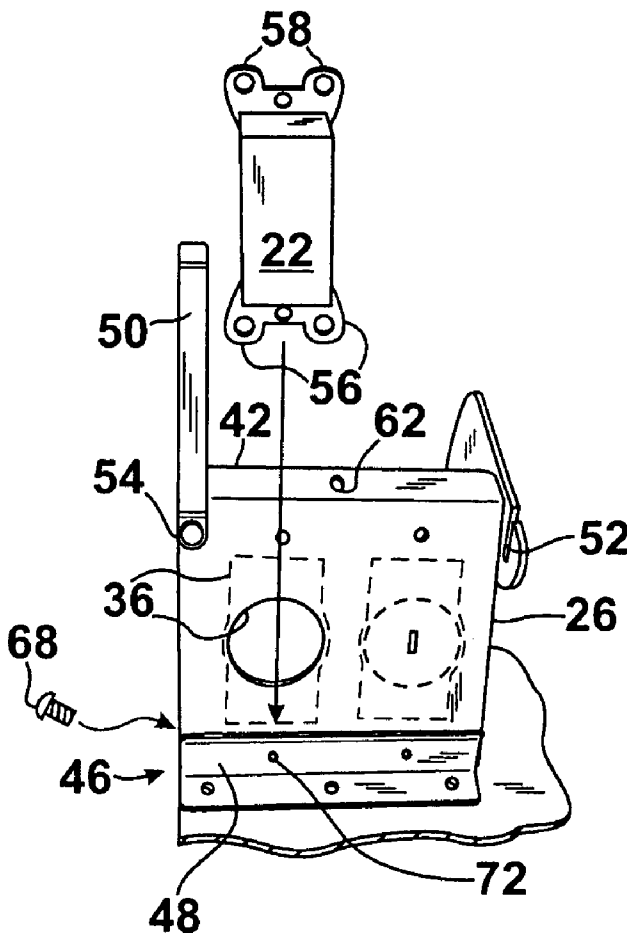
Primary Examiner—Jean F Duverne

(74) *Attorney, Agent, or Firm*—Richard L. Miller

(57) **ABSTRACT**

A quick-connector or replaceably attaching at least one electrical component to an electrical box without a need for screws and its method of use. The connector includes a panel and an apparatus. The panel is pivotally connected to the electrical box. The apparatus replaceably attaches the at least one electrical component to the panel without the need for the screws.

12 Claims, 4 Drawing Sheets



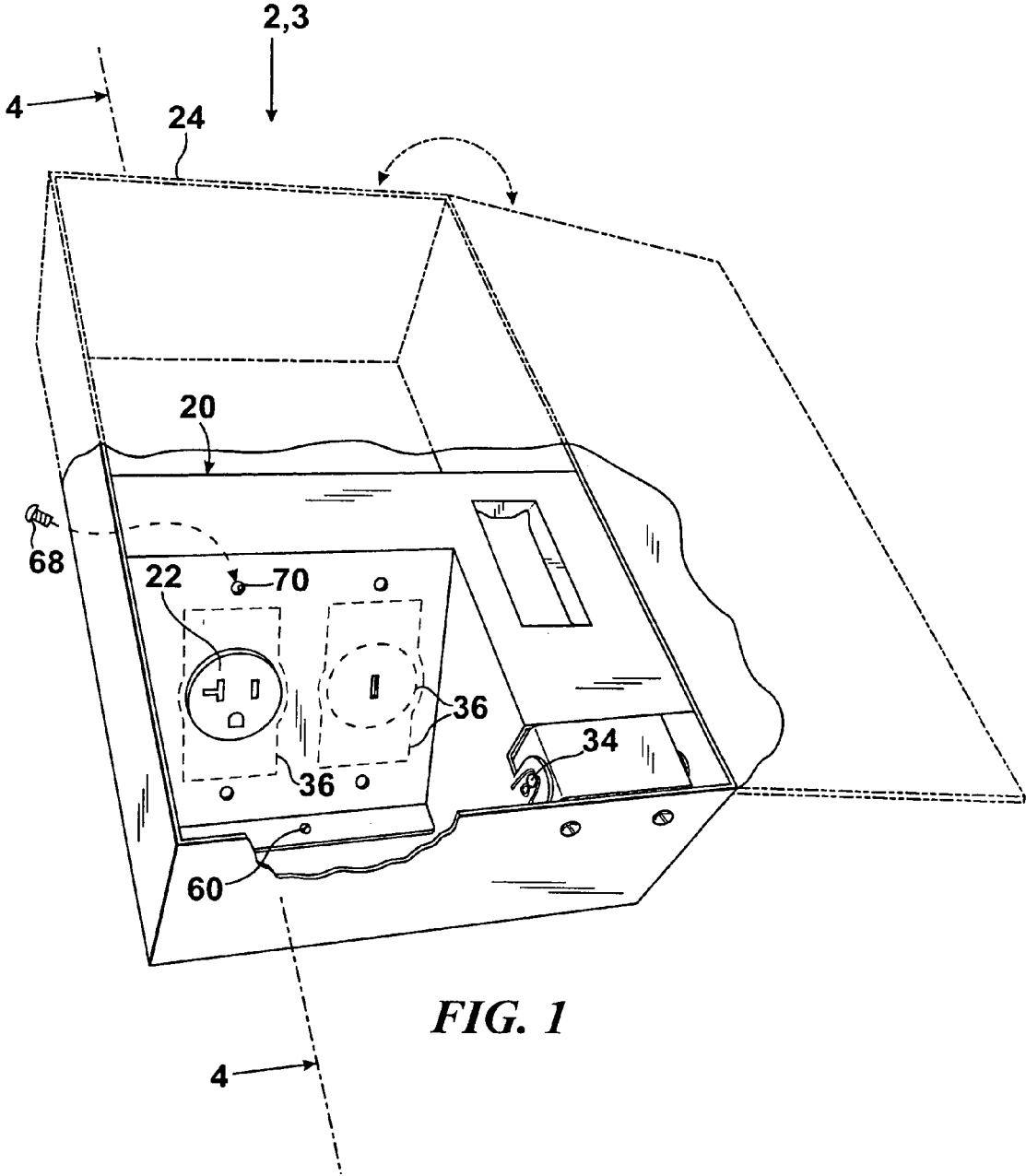
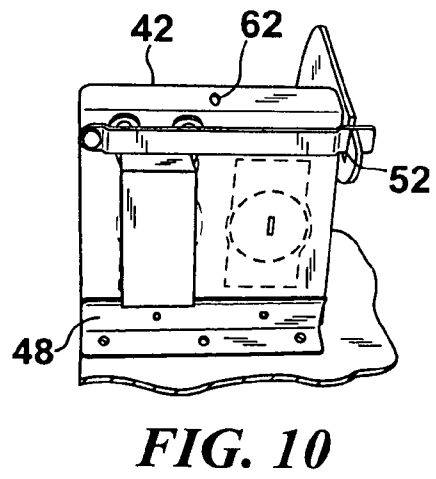
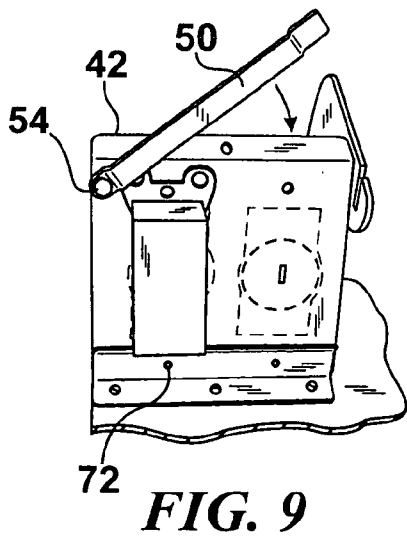
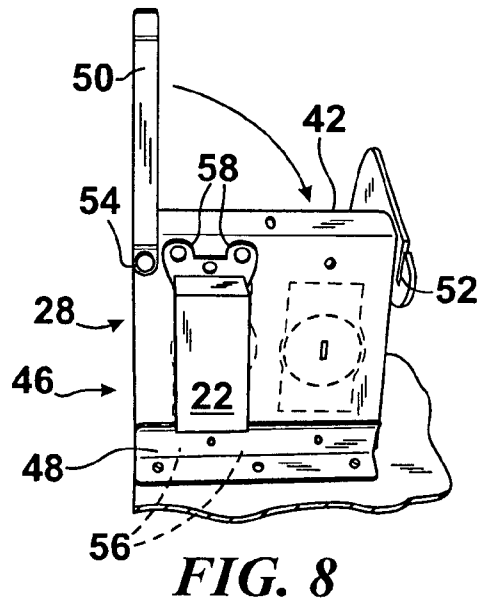
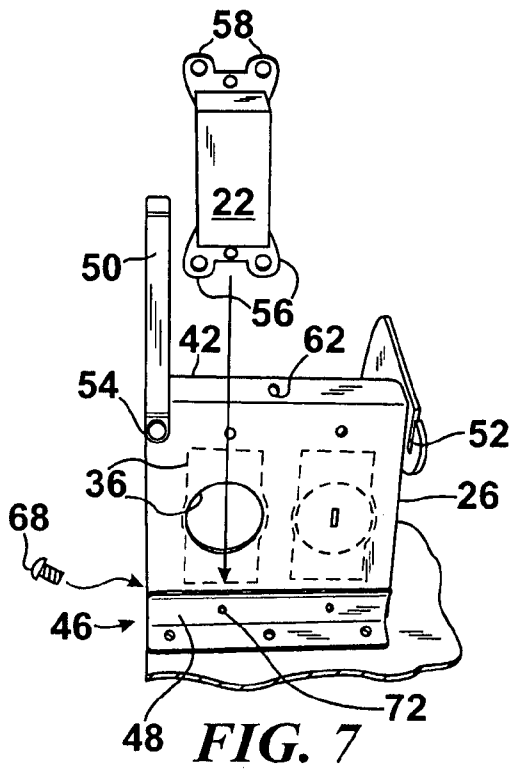


FIG. 1



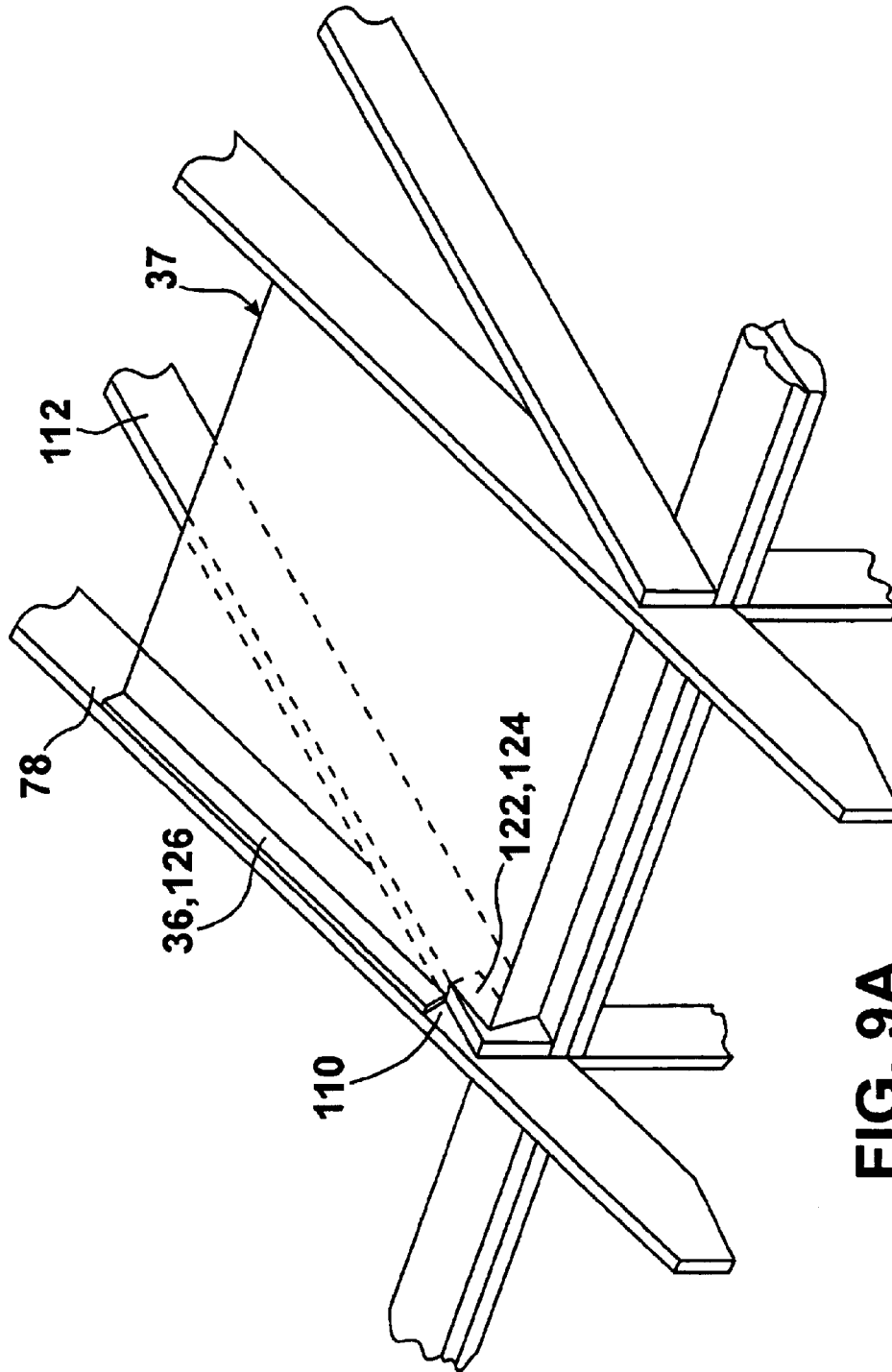


FIG. 9A



US 20090277339A1

(19) **United States**

(12) **Patent Application Publication**
Andrade

(10) **Pub. No.: US 2009/0277339 A1**

(43) **Pub. Date: Nov. 12, 2009**

(54) **ROTISSERIE GRILL BASKET FOR COOKING SMALL FOOD PIECES**

Publication Classification

(76) Inventor: **Joseph R. Andrade**, Scarsdale, NY (US)

(51) **Int. Cl.**
A47J 37/04 (2006.01)
(52) **U.S. Cl.** **99/427; 99/449; 99/450**

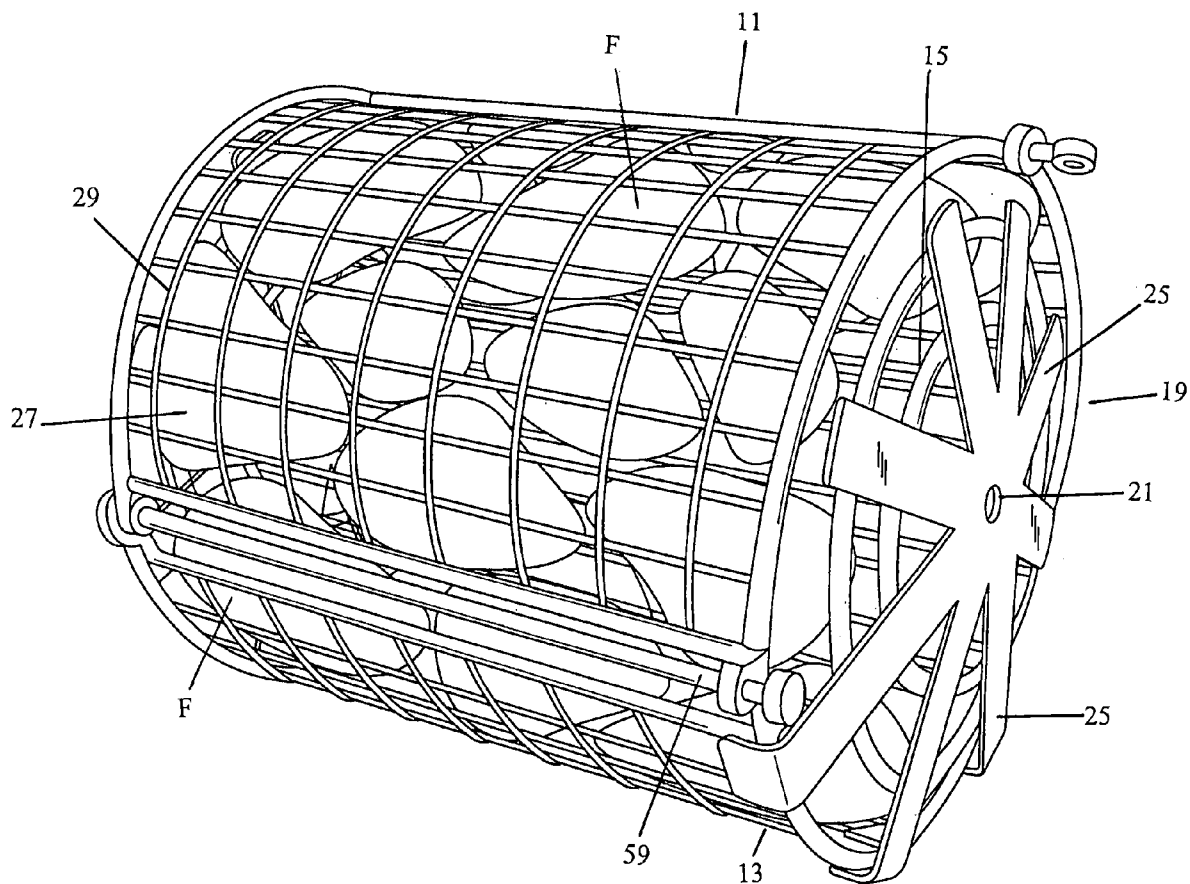
Correspondence Address:
James W. Badie, Esq.
521 Fifth Avenue, Suite 3300
New York, NY 10175-3399 (US)

(57) **ABSTRACT**

A rotisserie is provided for cooking small pieces of food without piercing the food. The rotisserie comprises an outer generally cylindrical grill basket and an inner generally cylindrical grill basket telescoped within the outer basket. Small pieces of food such as chicken wings, meats, vegetable cuts and the like are placed in the space between the two cylindrical baskets and the rotisserie is placed in a cooking oven provided with a heating element and means for rotating the rotisserie to evenly cook the food items.

(21) Appl. No.: **12/151,940**

(22) Filed: **May 12, 2008**



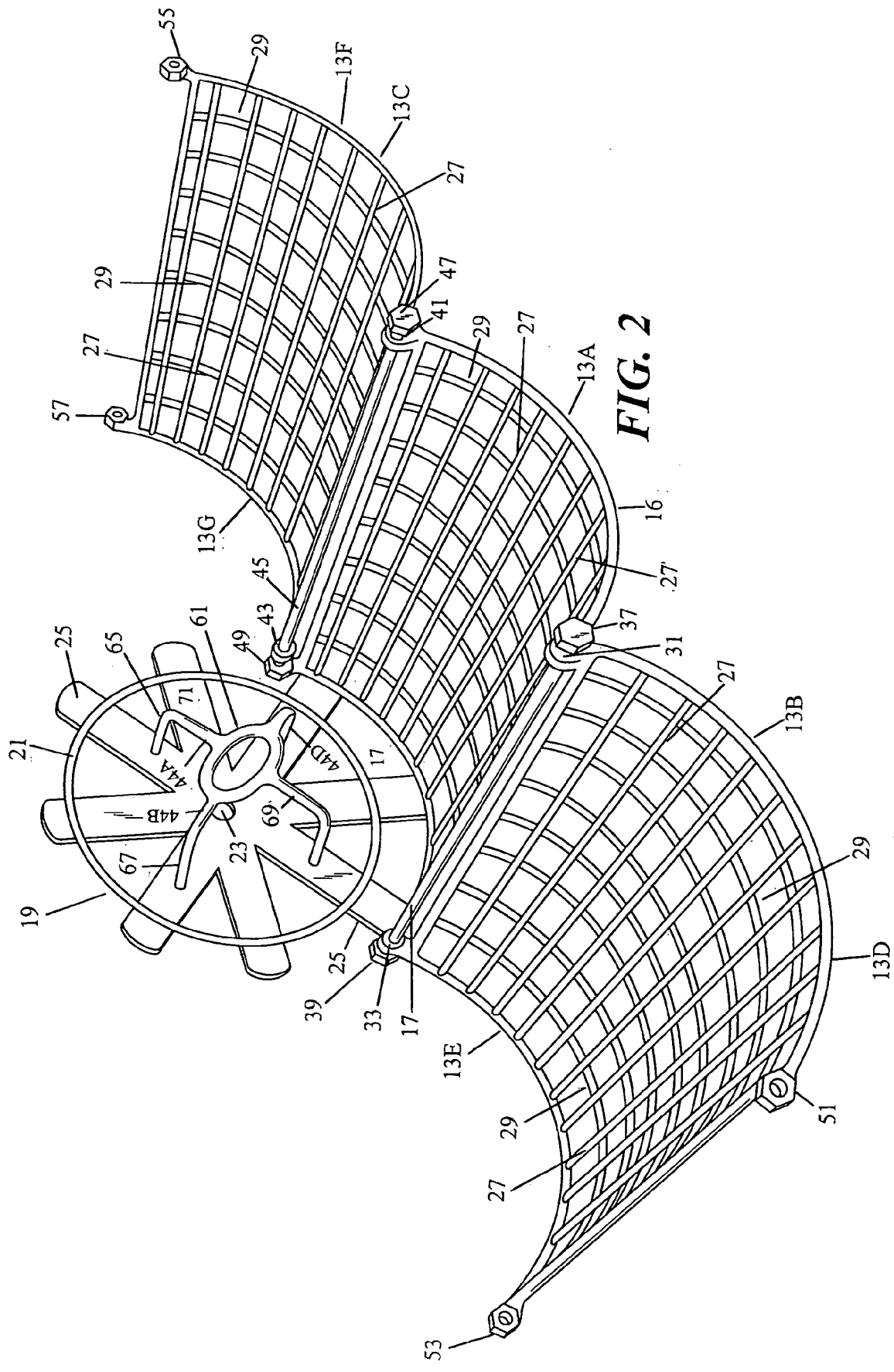


FIG. 2

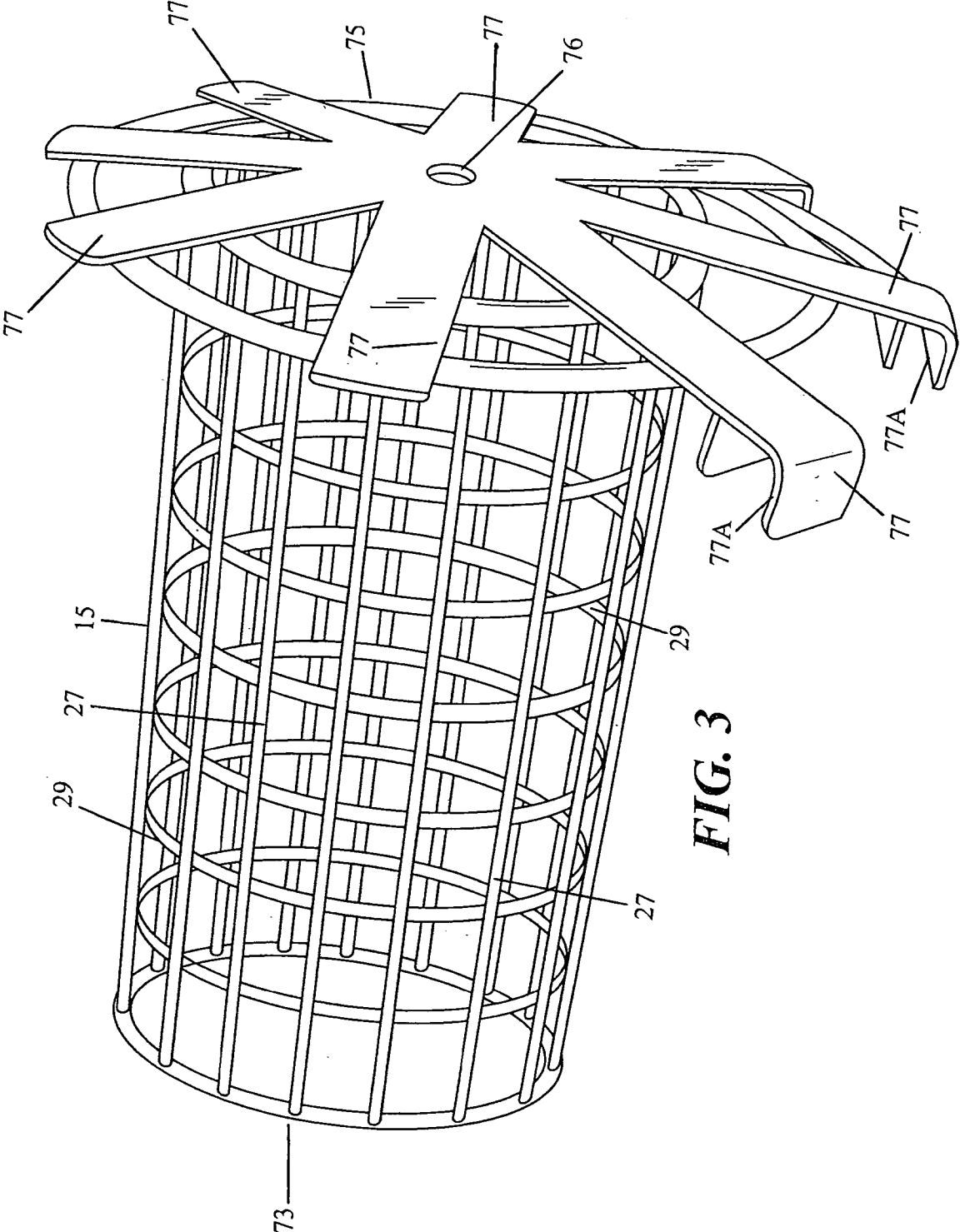
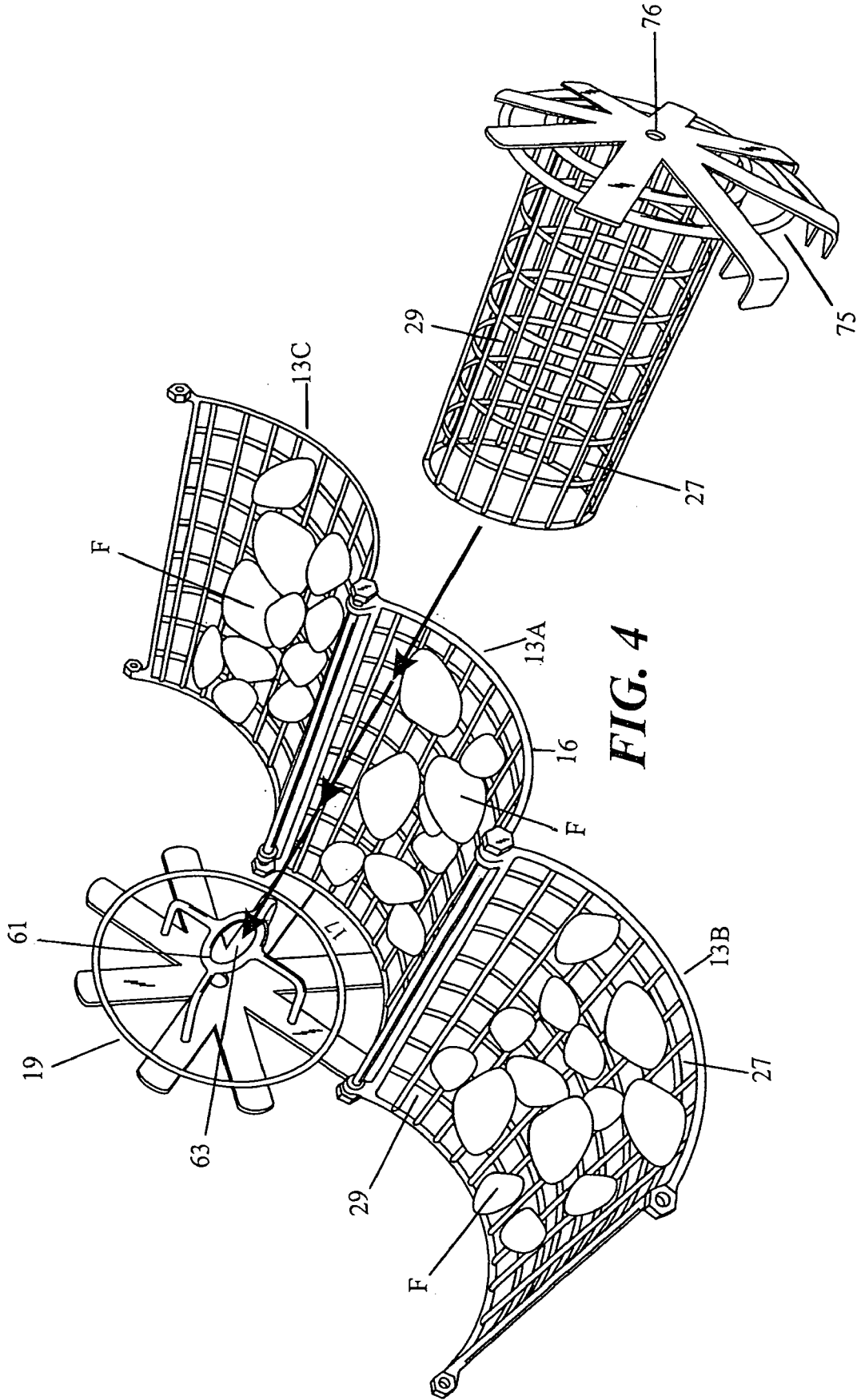


FIG. 3



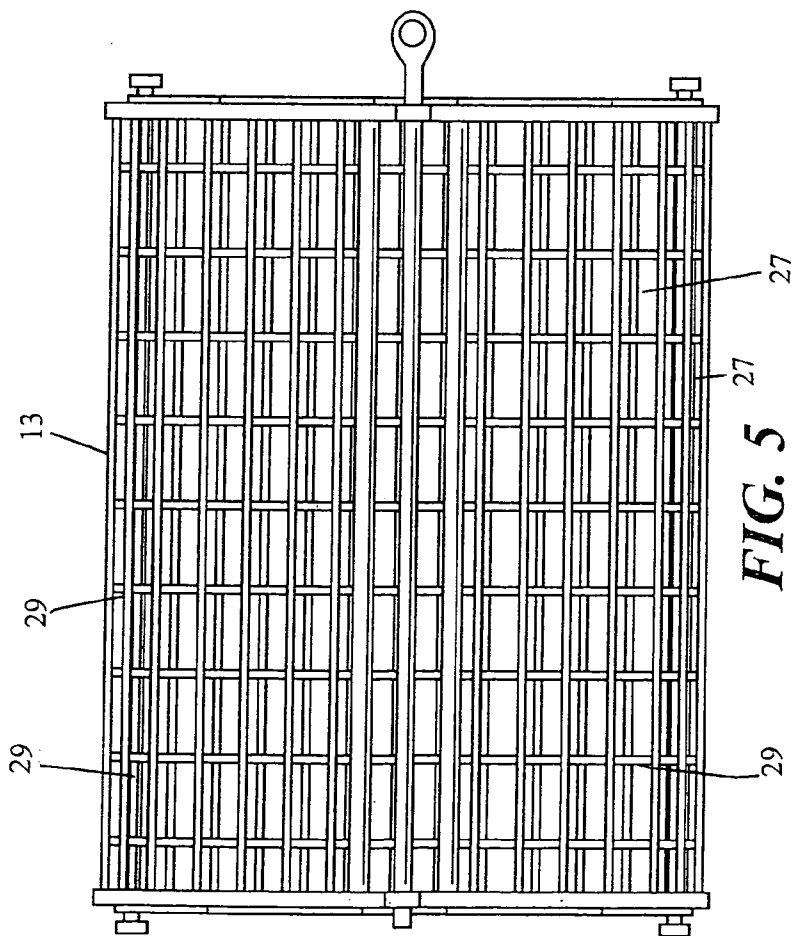


FIG. 5

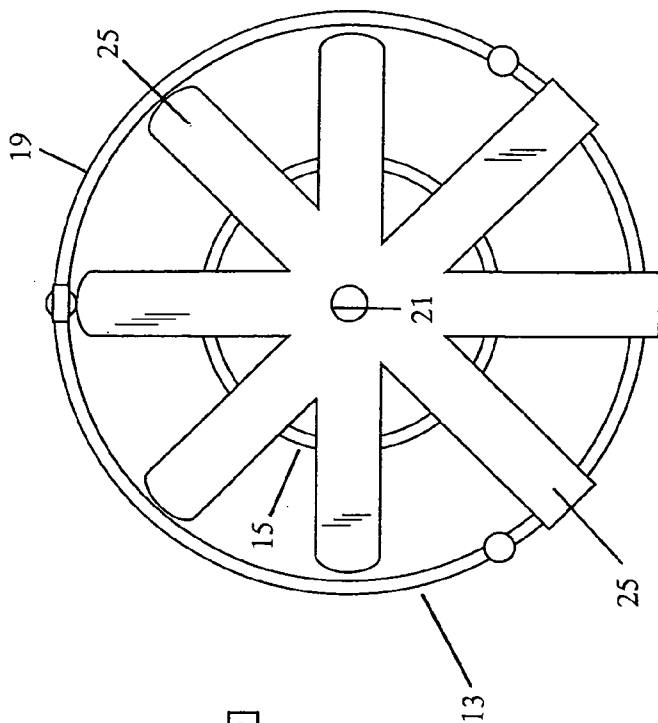


FIG. 6

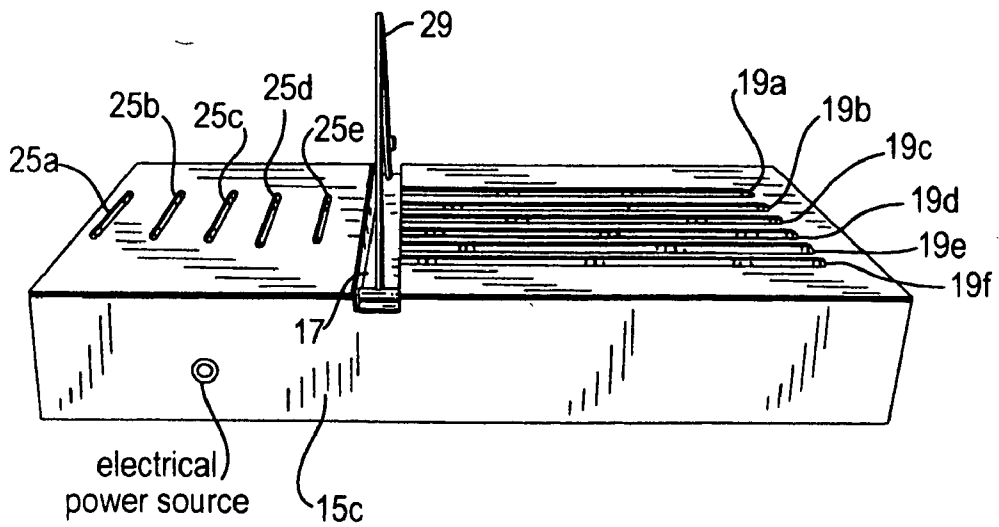
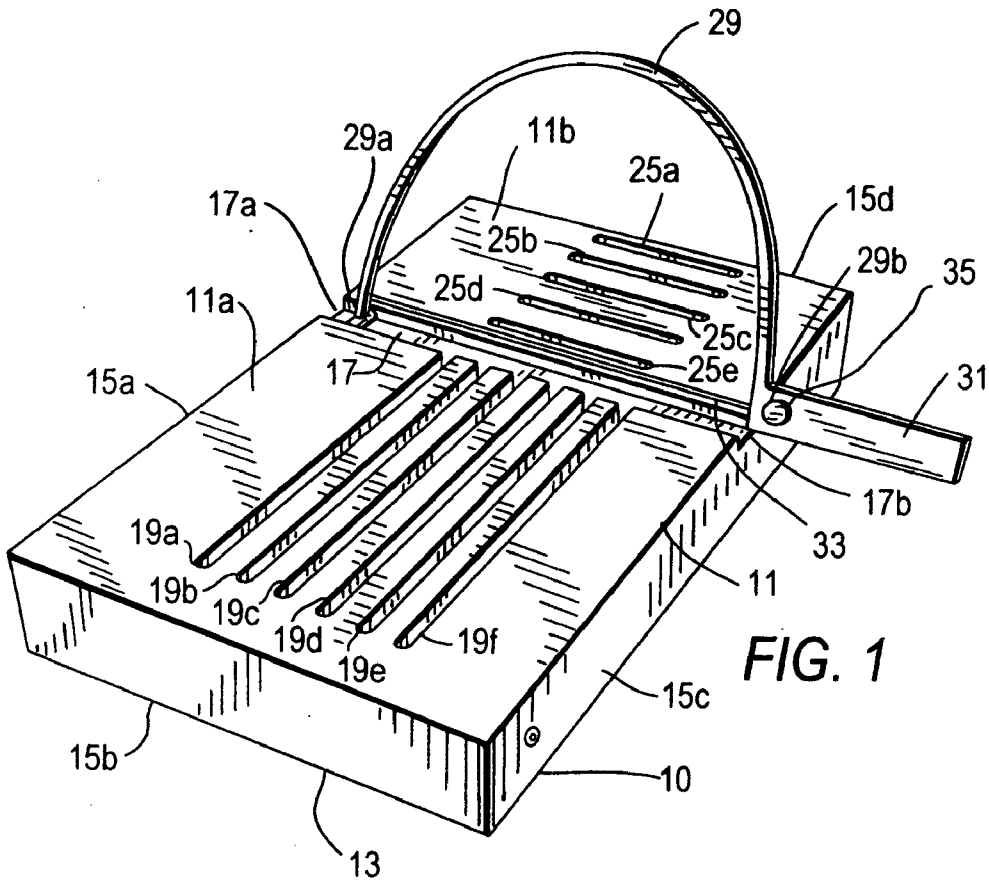


FIG. 2

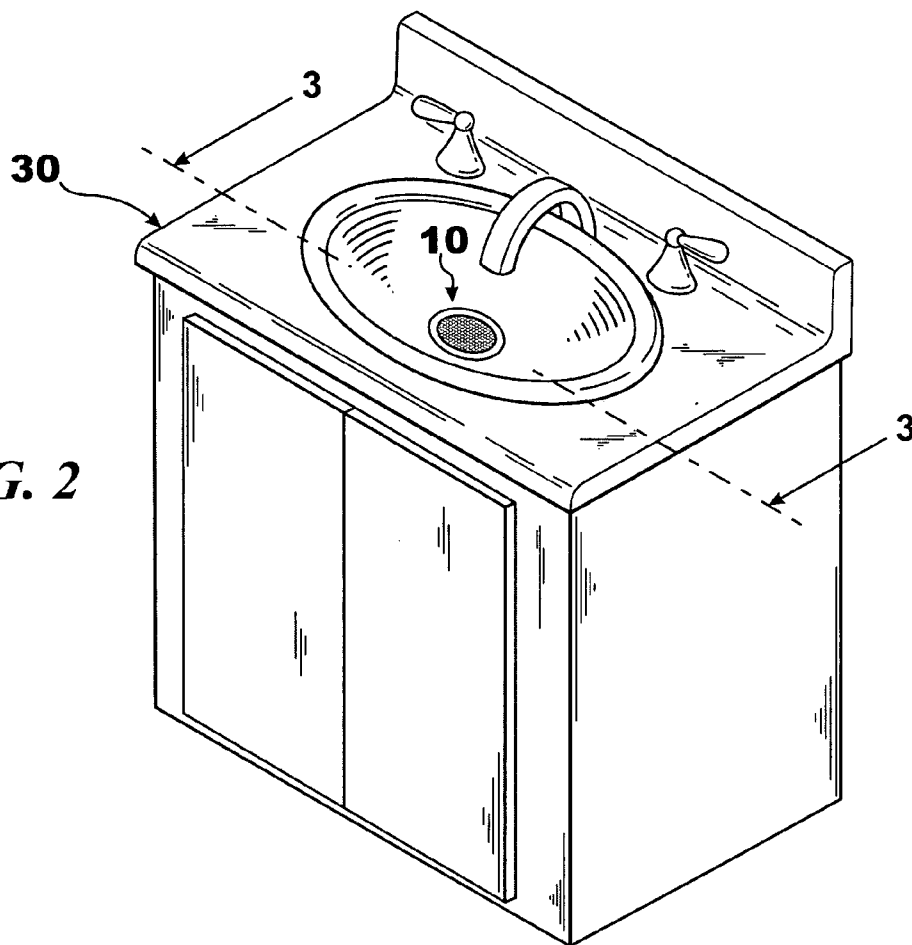


FIG. 2

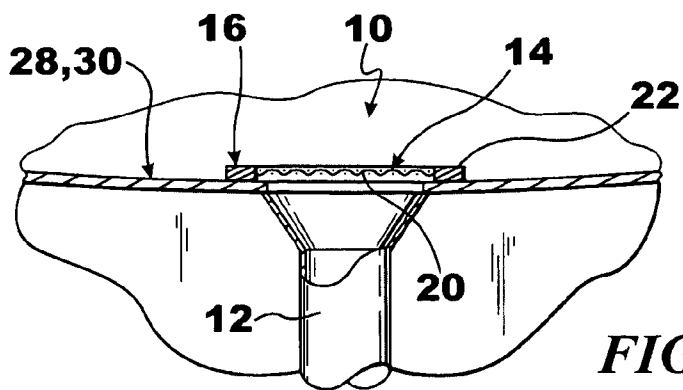


FIG. 3



US006583422B2

(12) **United States Patent**
Boehme

(10) **Patent No.:** **US 6,583,422 B2**

(45) **Date of Patent:** **Jun. 24, 2003**

(54) **ULTRAVIOLET WATER PURIFIER**

(75) Inventor: **Hilary Boehme**, Hauppauge, NY (US)

(73) Assignee: **Atlantic Ultraviolet Corporation**,
Hauppauge, NY (US)

(*) Notice: Subject to any disclaimer, the term of this patent is extended or adjusted under 35 U.S.C. 154(b) by 64 days.

(21) Appl. No.: **09/975,231**

(22) Filed: **Oct. 11, 2001**

(65) **Prior Publication Data**

US 2003/0071225 A1 Apr. 17, 2003

(51) **Int. Cl.⁷** **G01N 2/01**

(52) **U.S. Cl.** **250/432 R; 250/436**

(58) **Field of Search** 250/428, 432 R,
250/435, 436, 492.1; D23/207-210; 210/428,
432 R, 435, 436, 492.1

(56) **References Cited**

U.S. PATENT DOCUMENTS

3,462,597 A	*	8/1969	Young et al.	250/431
3,485,576 A	*	12/1969	McRae et al.	205/701
4,767,932 A	*	8/1988	Ellner	250/435
4,825,083 A	*	4/1989	Latel et al.	250/436
5,019,256 A	*	5/1991	Ifill et al.	210/232
D331,447 S	*	12/1992	Boehme et al.	D23/209

5,200,156 A	*	4/1993	Wedekamp	422/186.3
5,290,439 A	*	3/1994	Buchwald	210/198.1
5,885,449 A	*	3/1999	Bergmann et al.	210/198.1
5,942,109 A	*	8/1999	Wuebker et al.	210/198.1
5,942,110 A	*	8/1999	Norris	210/198.1
6,231,820 B1	*	5/2001	Wedekamp	422/186.3

* cited by examiner

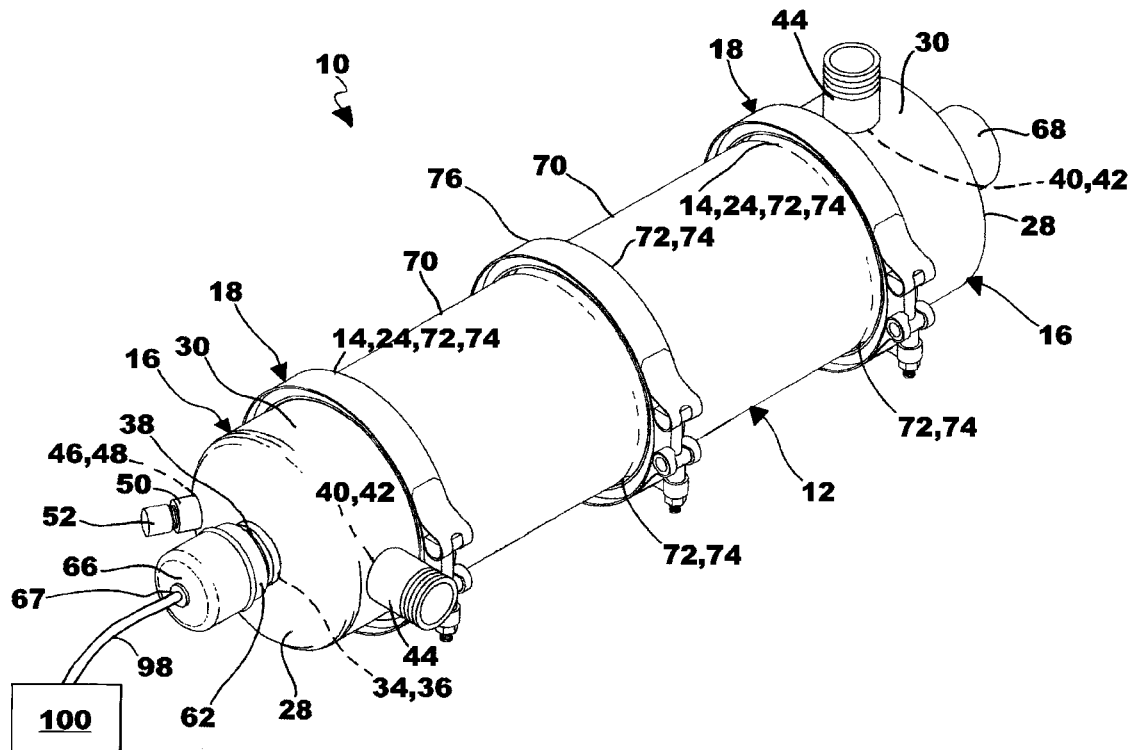
Primary Examiner—John R. Lee

Assistant Examiner—Christopher M. Kalivoda

(57) **ABSTRACT**

An ultraviolet water purifier that includes a chamber tube, a pair of chamber heads, a pair of replaceable primary chamber clamps, a quartz sleeve, and a germicidal ultraviolet lamp. The chamber tube is length adjustable. The pair of chamber heads are rotatably attached to the ends of the chamber tube, respectively, so as to allow the pair of chamber heads to be rotated relative to the chamber tube as desired and provide independently configurable inlet and outlet orientations. The pair of replaceable primary chamber clamps rotatably and interchangeably attach the pair of chamber heads to the ends of the chamber tube, respectively, so as to allow the pair of chamber heads to be readily rotated relative to the chamber tube, interchanged as desired, and allow for more complete disassembly of the purifier. The quartz sleeve extends axially through the chamber tube and the pair of chamber heads. The germicidal ultraviolet lamp extends axially through the quartz sleeve.

29 Claims, 2 Drawing Sheets



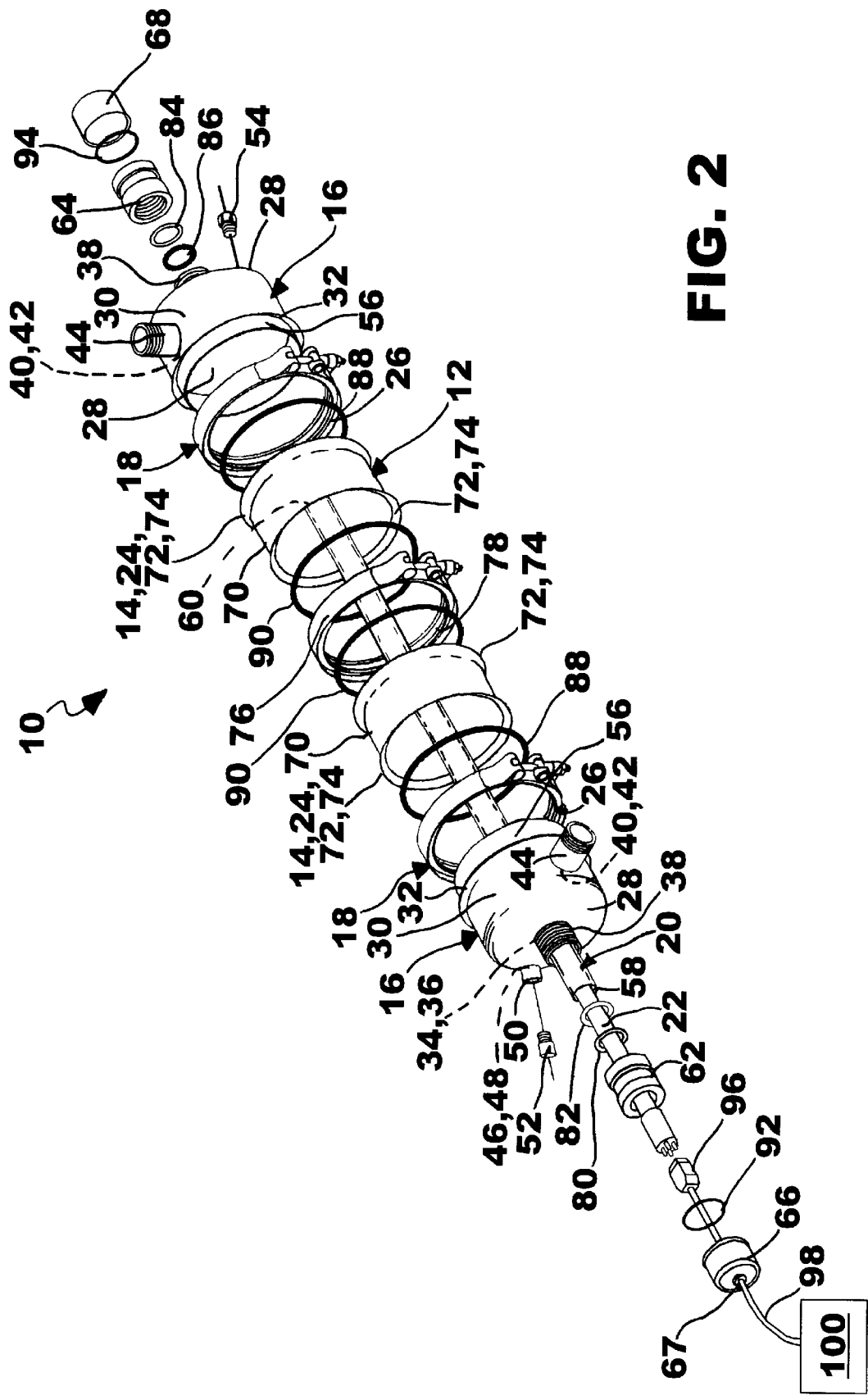


FIG. 2